

# Zomeworks Universal Top of Pole Fixed Rack FX-Series Prices and Specifications

## **How to determine which rack to order:**

Scroll down the column on the left to find the photovoltaic make and model you will use.  
Follow the row to the right until you find the box with the number of modules you plan to place on your rack.  
Follow the column up to the price and "Model Number" (FX xx) of the rack you need.

## **Example:**

To order a rack for 14 Kyocera KC-80's the model number is "FX 120" and will require an extra rail set.

## **Note:**

\*Extra Rail Set Required - \$248

\*\* 2 Extra Rail Sets Required - \$496

\*\*\* 3 Extra Rail Sets Required - \$744

Heavy Duty Rails are available for \$494 per set (2 rails)

## **Shipping:**

All FX Series racks must be shipped by common carrier.

## **Recommendations for Installation:**

It is the installers responsibility to consider the soil conditions, and location when setting the pipe.

A general rule of thumb for pole installation is: 2/3 pole length above ground 1/3 in the ground in a hole at least 3 times the diameter of the pipe and filled with concrete.

Effective 3/16/06      Prices and specifications subject to change without notice.

## Zomeworks Universal Top of Pole Fixed Rack FX-Series Prices and Specifications

<b>MODEL #</b>	<b>FX 90</b>	<b>FX 120</b>	<b>FX 168</b>
<b>RETAIL PRICE</b>	\$976	\$1,051	\$1,298 / \$1,792HD
<b>ASE / RWE SCHOTT</b>			
ASE-100-STF/17-34	8-10*	12*	14*-16**-18**
ASE-165-STF/17-35	6	8	10-12*
ASE-300-DGF/17 & 50	N/A	4	6
<b>BP / SOLAREX</b>			
BP-160F/270F/275F/280F/580F/585F	10-12	14-16	18*-20*-21*-22*-24*
BP-270L/275L/580L/585L	10-12	14-16	18*-20*-21*-22*-24*
BP-365/365U	12-14	16-18*	N/A
BP-380/385/485	10-12	14-16	18*-20*-21*-22*-24*
BP-2140S/2150S/3150/3160S/ 4160S/5170S/SX-150S/SX-170	6	8	10-12HD
BP-3115/3125	6-8	10	12-14*
BP-580U/585U/SX-75TU	10-12	14-16	18*-20*-21*-22*-24*
BP-MSX-120	6	8-10*	12*-14*
BP-SX-75/80/85	6-8-10	12-14	16-18
BP-SX-120	6-8	10	12-14
<b>EVERGREEN</b>			
E-56/60	10	12-14	N/A
EC-102/110/115/120	6-8	10	12-14
<b>GENERAL ELECTRIC</b>			
GEPV-065 / -070 / -072-M	10-12	14-16	18*-20*-21*-22*-24*
GEPV-100-M / GEPV-110-M	6-8	10	12-14-16*
GEPV-165 / 173-M / 200-M	6	N/A	8-10HD
<b>GRUNDFOS</b>			
GF-43/50	8	10-12	14*-15*-16*-18*
GTF-55	10	12-14	16*-18*-20*-21*
GF-65C	10-12	14-16	18*-20*-21*-22*-24*
<b>IBC</b>			
IBC-80S (megaline)	10	12-14	16-18*-20*
IBC-110S/IBC-120S (megaline)	6-8	10	12-14*
IBC-155S (megaline)/175M	6	8	10-12HD
IBC-190 (megaline)	4	6	8
IBC-200S (megaline)	4	6	8-10HD

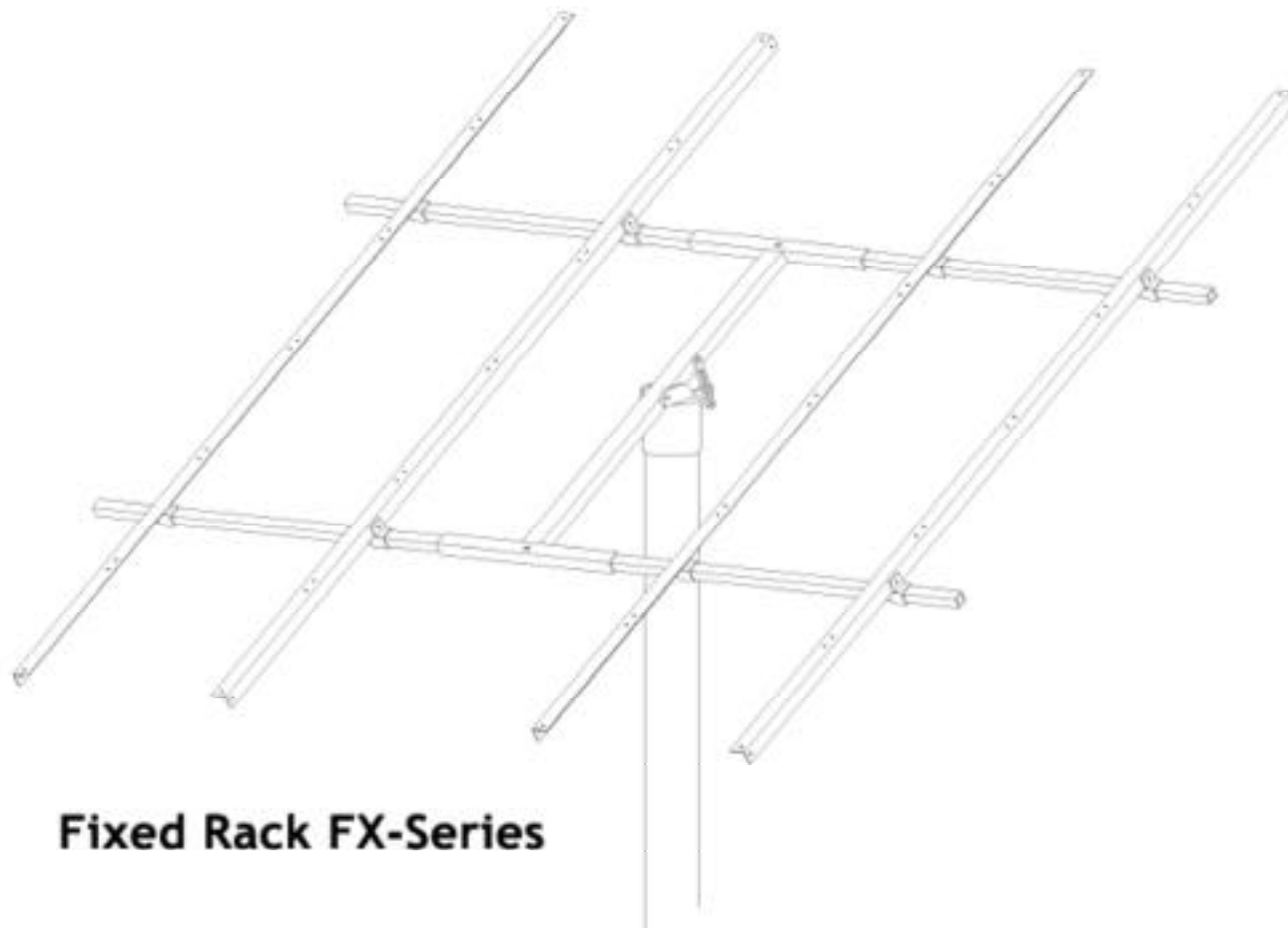
## Zomeworks Universal Top of Pole Fixed Rack FX-Series Prices and Specifications

MODEL #	FX 90	FX 120	FX 168
<b>RETAIL PRICE</b>	\$976	\$1,051	\$1,298 / \$1,792HD
<b>ISOFOTON</b>			
I-94	8-10	12-14*	16*-18*
I-100	8	10-12	14-15*-16*-17*-18*
I-150S/165	6	8	10*-12*
<b>KYOCERA</b>			
KC-80	10-12	14*-16*	18*-20**-22**-24**
KC-120-1/125G /130GT / 130TM	8	10-12	14*-16*
KC-158G/167G/170GT / 175GT	6	8	10*-12*
KC-LA361G51S	14-16-18	20*-21*-22*-23*-24*-25*	N/A
KC-187/190/200GT	6	8	10HD
<b>LCP-SOLAR</b>			
LCP-050	14-16-18	N/A	N/A
LCP-080/085	10-12	14-16	N/A
LCP-100	8-10	12	14-16*
LCP-120	8	10	12-14*
LCP-150	6	8	10-12HD
LCP-170	6	8	10-12HD
<b>MITSUBISHI</b>			
PV-MF110EC3 / 120EC3	8	10-12	14-16*
PV-MF-155/160/165EB3 / 170EC3	6	8	10-12HD
<b>PHOTOWATT</b>			
PW-1000	8	10-12	14*-15*-16HD
PW-1250	8	10	12*-14HD
PW-1650 & 1750	6	8	10*
PWX-750	10-12	14-16	18*-20*-22*
<b>SANYO</b>			
HIP-63S1	14-16-18*	20*-22*-24*	N/A
SANYO- 167/180/186/190/195/200BA3 (clips not provided by ZW)	6	8	10-12H
H=Horizontal channel kit required (\$450) no discount			

## Zomeworks Universal Top of Pole Fixed Rack FX-Series Prices and Specifications

MODEL #	FX 90	FX 120	FX 168
<b>RETAIL PRICE</b>	\$976	\$1,051	\$1,298 / \$1,792HD
<b>SHARP</b>			
NE-80E1U & NE-80EJE(80 watt)	10-12	14-16	18*-20*-22*-24*
NE-80EJEA(80 watt)	10-12	14-16-18*	20*-22*-24*-25HD
ND-L3E1U (123 watt) / ND-L5E1U (123 watt)	6-8	10	12-14*
NE-K125U2 (125 watt)	8	10	12*-14*-15*
ND-NOECU (140 watt)			
ND-162U1 (162 watt)	6	8	10*-12*
ND-167U3A (167 watt)			
ND-QOE2U (160 watt)	6	8	10*
ND-167U1 (167 watt)	6	8	10*-12*
NE-Q5E2U(165 watt)/ ND-170U1 (170 watt) /NT-185U1 (185 watt)	6	8	10-12HD
NT-R5EU1 (175 watt)	6	8	10-12HD
ND-200U1 (200 watt) / ND-208U1 (208 watt)	4	6	8
<b>SHELL SOLAR / SIEMENS</b>			
S65/S70/S75	10	12-14	16*-18*-20*-22*HD
S105/S115	6-8	9*	10-12*-14*
SQ70/SQ75/SQ80	10-12	14-16	18*-20*-22*-24*
SQ140-PC/SQ150-PC/SQ160-PC/SP150-P	6*	8*	10-12HD
PowerMax Ultra 175-PC/165-PC	6*	8*	10-12HD
SM110	8	10-12	14*-16*
SP65/SP70/SP75	10-12	14-16	18*-20*-22*-24*
SP130/SP140-P	6*	8*	10
SR50	14-16*	18*-20*	N/A
SR90/SR100	8	10-12	14-16*
<b>SUNWIZE</b>			
SW85/SW90/SW95	8	10-12	14-16*-18*HD
SW100/SW115/SW120	8	10-12	14-16*
SW-115L/165L	6	8	10
<b>UNI-SOLAR</b>			
US-32	8-10-12-14	16-18-20	N/A
US-42	10-12*	14*-16**	18**-20**-22**
US-64	8	10	12*-14*HD
USF-32	8-10-12	14-16-18	N/A

## Zomeworks Universal Top of Pole Fixed Rack FX-Series Prices and Specifications



**Fixed Rack FX-Series**

Zomeworks Corporation PO Box 25805 (1011 Sawmill Rd NW) Albuquerque, NM 87125  
(800) 279-6342 - (505) 242-5354 - Fax (505) 243-5187  
www.zomeworks.com - email: zomework@zomeworks.com  
© Zomeworks Corporation