

Power-Fab Roof/Ground Mounts are available in several sizes and styles in both aluminum (AL) and painted steel (PS) versions. In addition to the standard configuration, we offer both low-profile and two-tier designs. Both one-piece (OP) and telescoping-leg (TL) sets are available. This sheet describes our standard line of roof/ground mounts. Power-Fab specializes in custom design and fabrication and can build mounts to meet your exact needs.

SPECIFICATIONS

MATERIALS

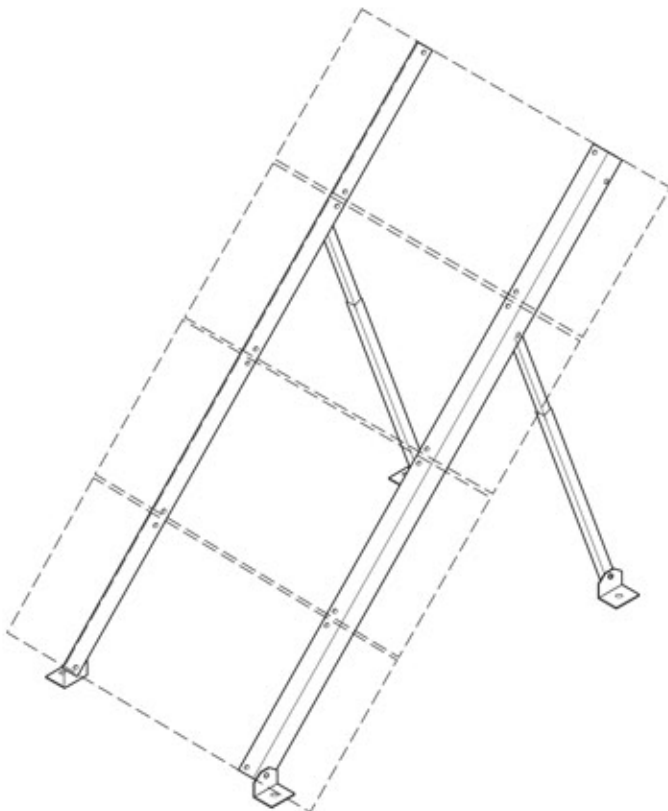
ALUMINUM (AL) ROOF/GROUND MOUNTS: Module rails and legs are made of mill-finish 6061-T6 structural aluminum angle. Some large racks are made of 6061-T6 structural aluminum channel. Clear anodizing is available as an option.

PAINTED STEEL (PS) ROOF/GROUND MOUNTS: Module rails and one-piece legs are made of ASTM A36 steel angle. Telescoping leg sets are made of ASTM A500-Grade B steel square tubing. Steel racks are coated with a minimum of two coats of industrial urethane enamel. Hot-dip-galvanizing is available as an option.

Both aluminum and steel racks come with stainless steel module mounting hardware and Grade 5 zinc-plated rack assembly hardware. Standard mounting feet are made of steel and are hot-dip-galvanized after fabrication.

SRGM STANDARD ROOF/GROUND MOUNTS

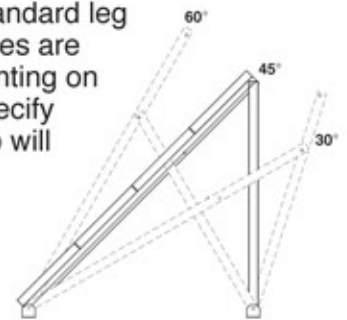
Modules are racked with length horizontal, stacked one above the other. Models are available to hold from 1 to 10 modules (depending on module width).



LEG STYLES AND SEASONAL ADJUSTMENT (for all roof ground mounts)

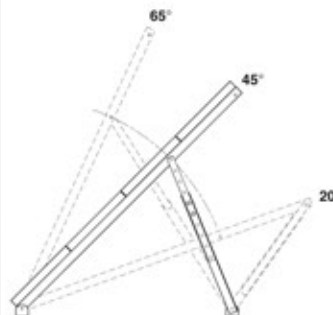
These are Power-Fab standard leg configurations. Other styles are available. If you are mounting on a pitched roof, please specify the slope and Power-Fab will modify the legs to suit.

NOTE: All roof/ground mounts can be set at 0° (parallel to mounting surface) by removing the back legs.



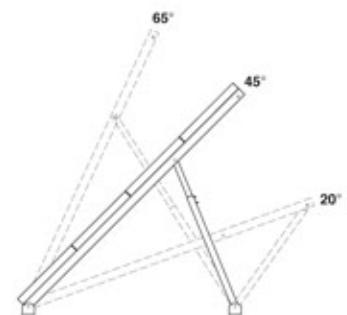
ONE-PIECE LEG

Painted Steel & Aluminum
3 Set-Points: 30°, 45°, 60°



TELESCOPING LEG

Aluminum
Tilt Range: 20° to 65°



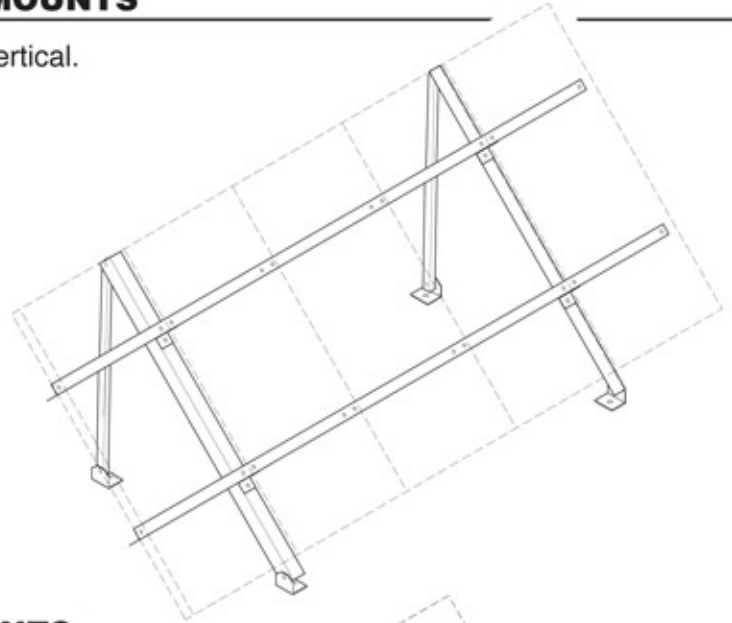
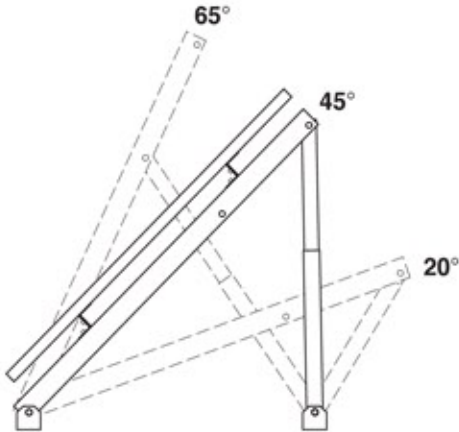
TELESCOPING LEG

Painted Steel
Tilt Range: 20° to 65°

ROOF/GROUND MOUNTS *(continued)*

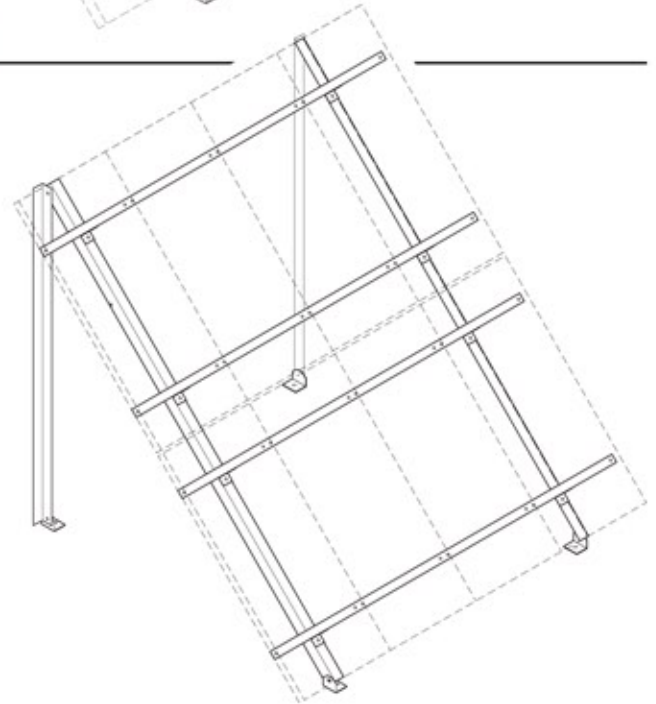
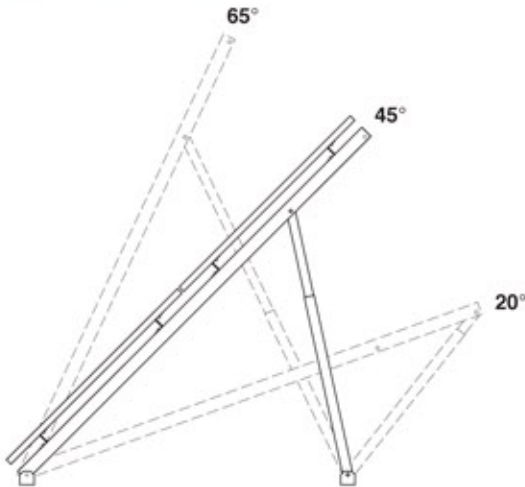
LPRGM LOW-PROFILE ROOF/GROUND MOUNTS

Modules are racked side-by-side with module length vertical. Models are available to hold from 4 to 12 modules (depending on module width).



TTRGM TWO-TIER ROOF/GROUND MOUNTS

Modules are racked in two rows with module length vertical. Models are available to hold from 4 to 14 modules (depending on module width).



SHIPPING

Most roof/ground mounts ship via UPS. Models with module rails longer than 108" must ship motor freight.

OPTIONS

- Anodized aluminum
- Tamper-resistant hardware
- Custom elevation angle settings
- Powder coating
- Stainless steel
- Hot-dip-galvanized steel
- Combiner box mounting plates
- Snow-clearance extensions
- Vertical wall mounts

FOR MORE INFORMATION:

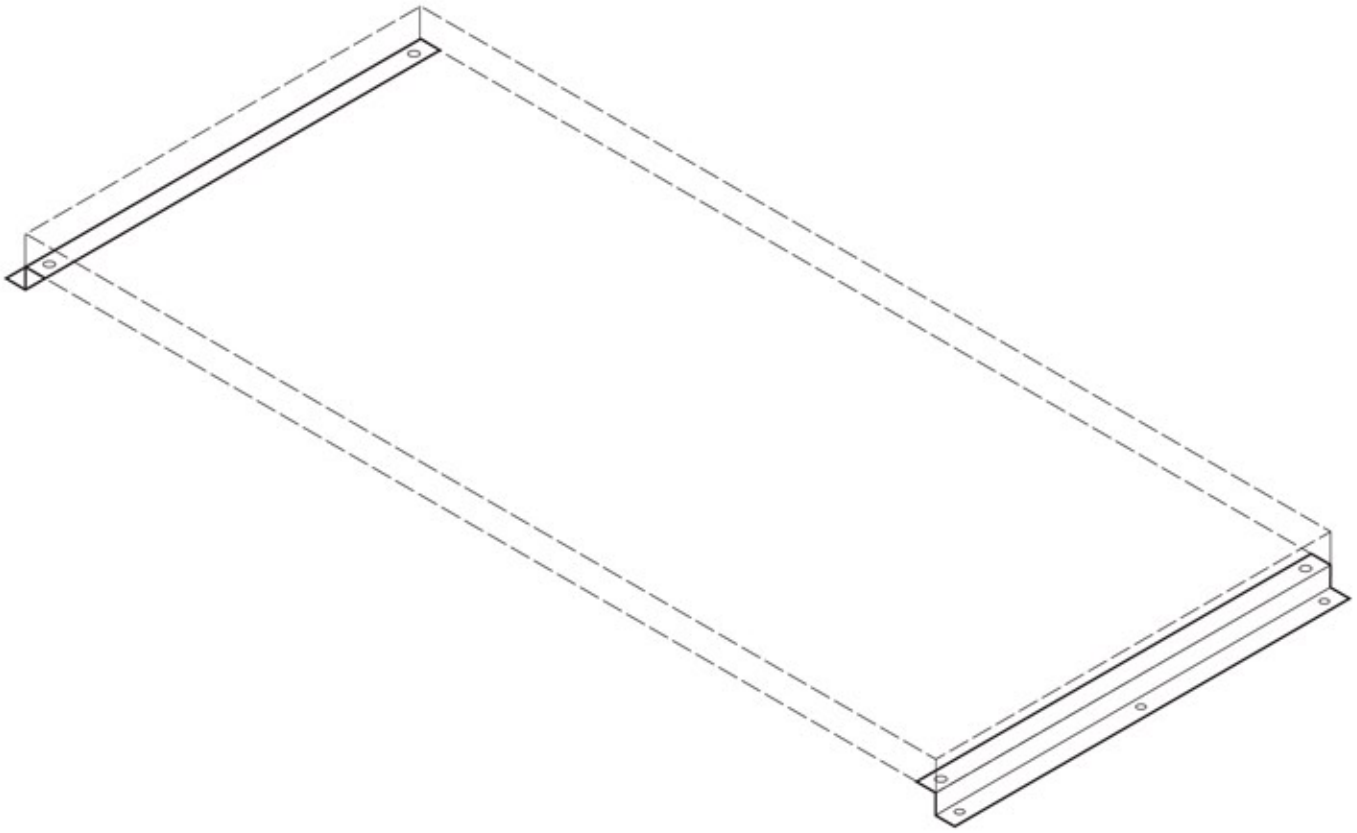


4000-B Vassar Drive NE • Albuquerque, NM 87107 USA

1-800-260-3792

Telephone 505-889-3585 • Facsimile 505-889-3548

URL <http://www.power-fab.com> • E-mail jeffr@directpower.com



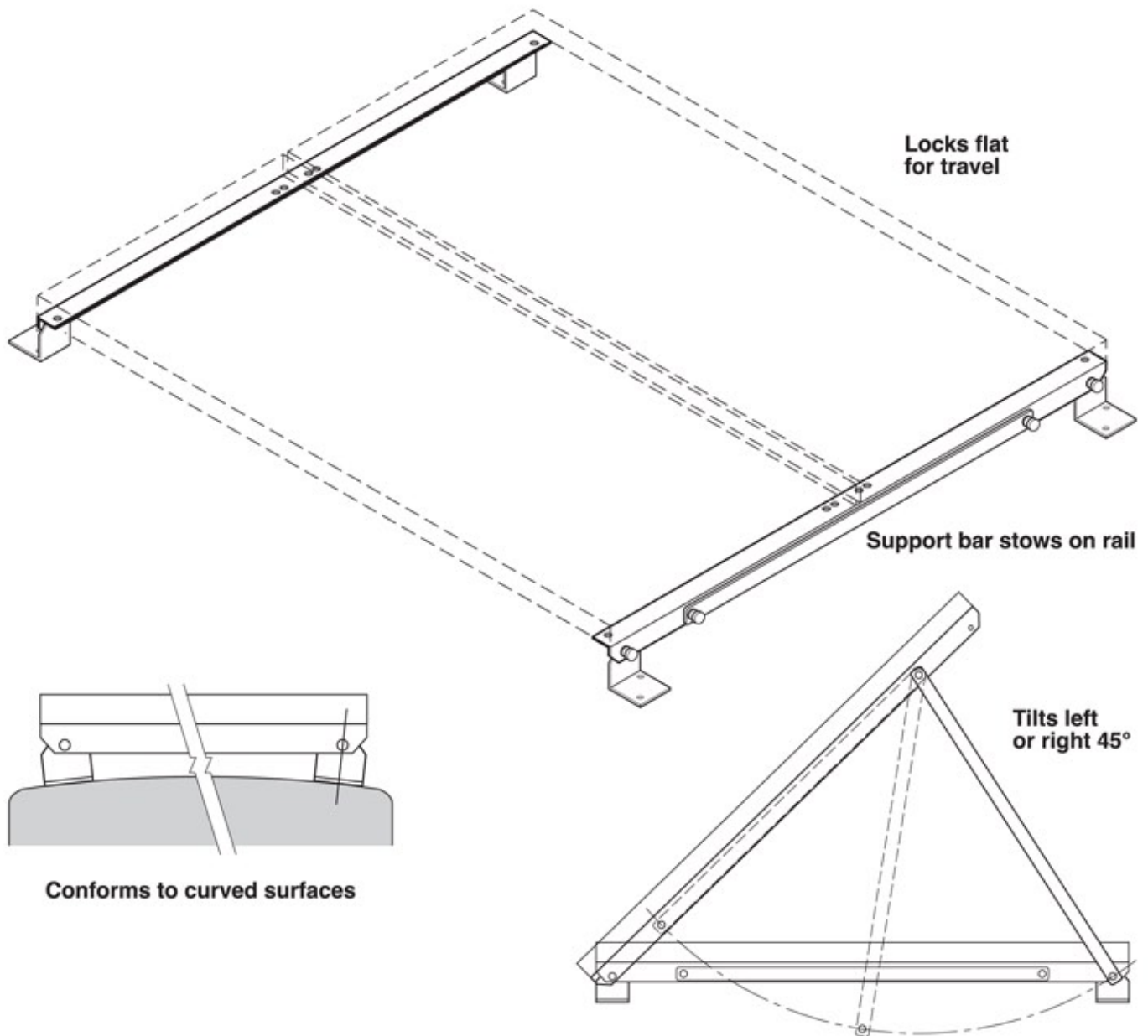
SERIES RVM-FM

Flush RV Mounts for One or Two Modules (models for all brands)

STANDARD SPECIFICATIONS

- Can be attached to any flat or sloping surface
- Constructed of 0.063" 5052-H32 aluminum
- 1" x 1" x 1" z-strip profile
- Stainless steel module mounting hardware is supplied
- Hardware for attaching to roof is not supplied

*other materials and finishes are available



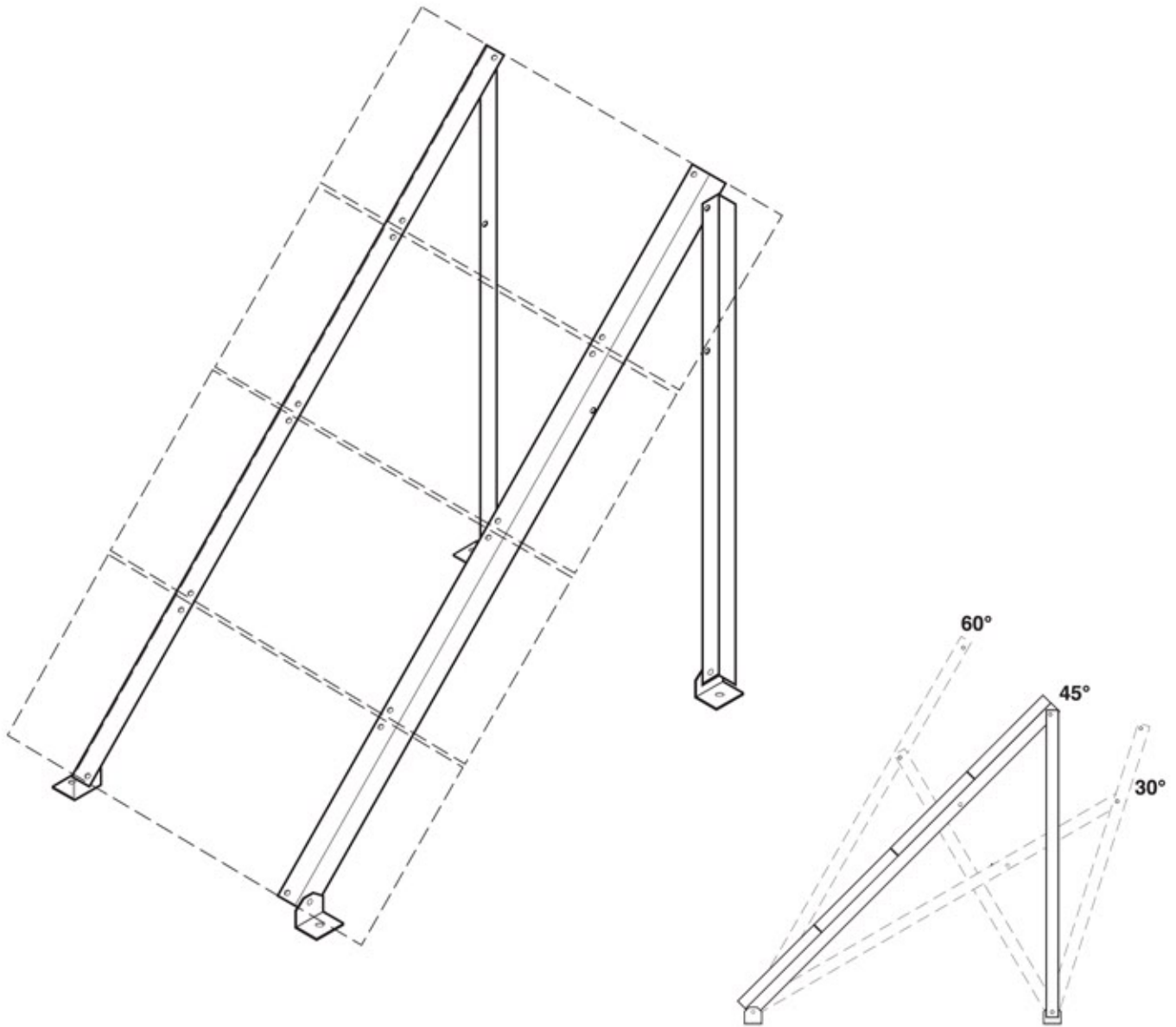
SERIES RVM-ADJ

Adjustable RV Mounts for One or Two Modules (models for all brands)

STANDARD SPECIFICATIONS

- Constructed of 6061-T6 structural aluminum angle and 5052-H32 aluminum
- Stainless steel threaded inserts eliminate loose nuts
- Brass thumb screws
- Stainless steel module mounting hardware is supplied
- Hardware for attaching to roof is not supplied

*other materials and finishes are available

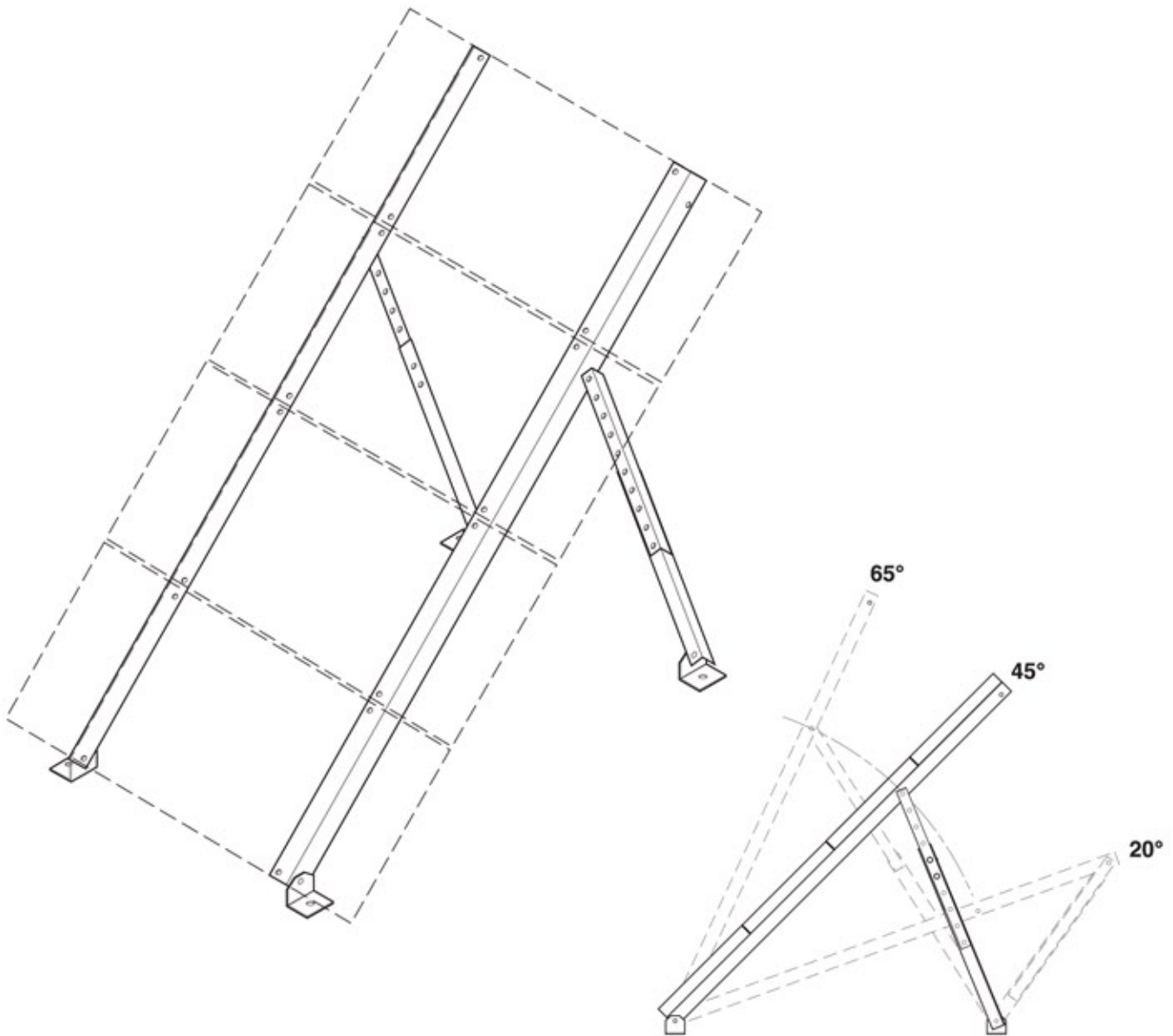


SERIES DP-RGM-OP **Roof/Ground Mount with One-Piece Legs**

STANDARD SPECIFICATIONS

- Rails and legs are 6061-T6 structural aluminum angle
- Mounting feet are heavy gauge steel, hot-dip galvanized after fabrication
- Module mounting hardware is stainless steel
- Rack hardware is zinc-plated grade 5
- Elevation angle adjustment: 30-, 45-, and 60-degree settings

*other materials and finishes are available



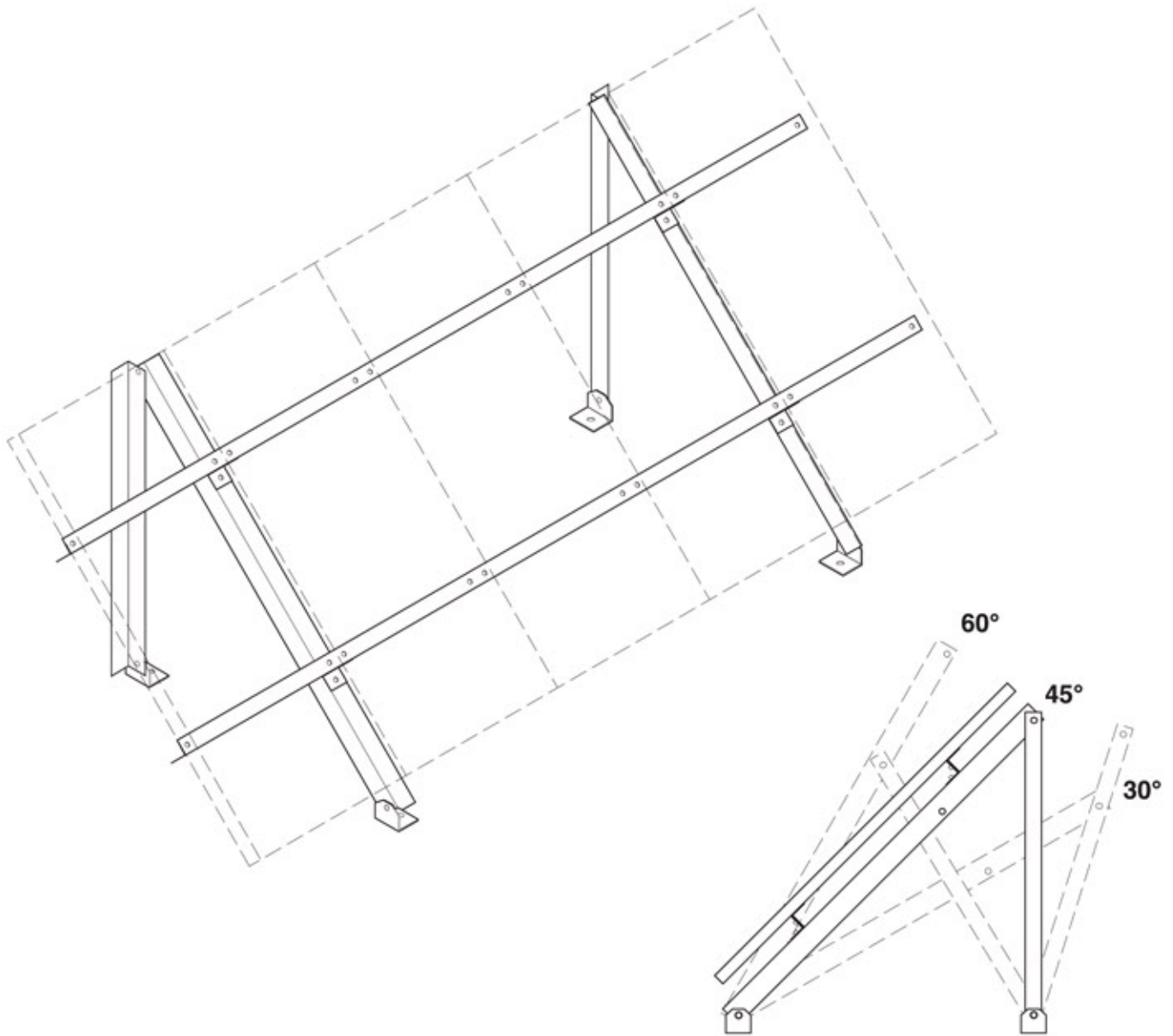
SERIES DP-RGM-TL

Roof/Ground Mount with Aluminum Telescoping Legs

STANDARD SPECIFICATIONS

- Rails and legs are 6061-T6 structural aluminum angle
- Mounting feet are heavy gauge steel, hot-dip galvanized after fabrication
- Module mounting hardware is stainless steel
- Rack hardware is zinc-plated grade 5
- Elevation angle adjustment: 20 to 65 degrees

*other materials and finishes are available



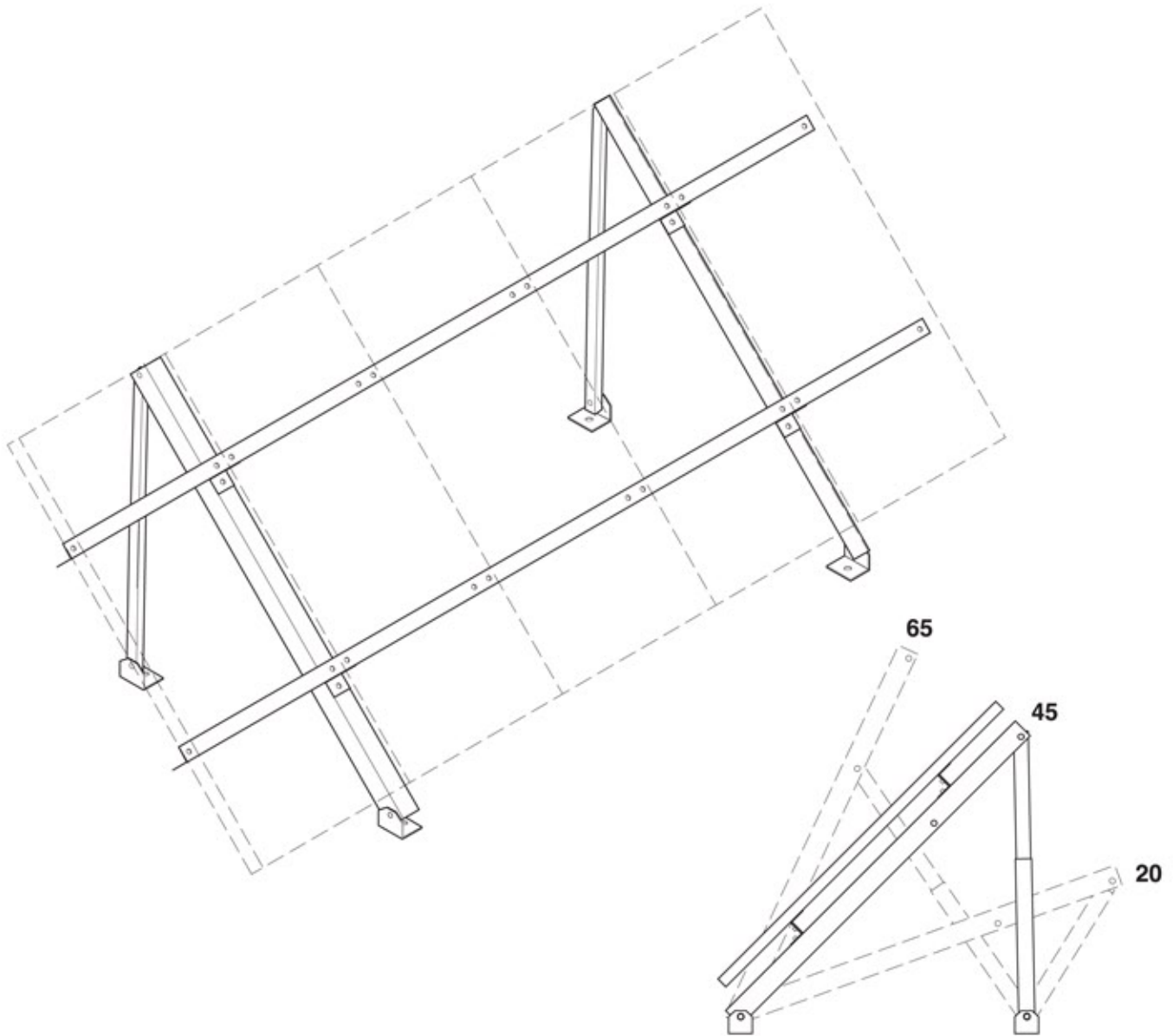
SERIES DP-LPRGM-OP

Low-Profile Roof/Ground Mount with One-Piece Legs

STANDARD SPECIFICATIONS

- Rack components are 6061-T6 structural aluminum angle
- Mounting feet are heavy gauge steel, hot-dip galvanized after fabrication
- Module mounting hardware is stainless steel
- Rack hardware is zinc-plated grade 5
- Elevation angle adjustment: 30-, 45-, and 60-degree settings

*other materials and finishes are available



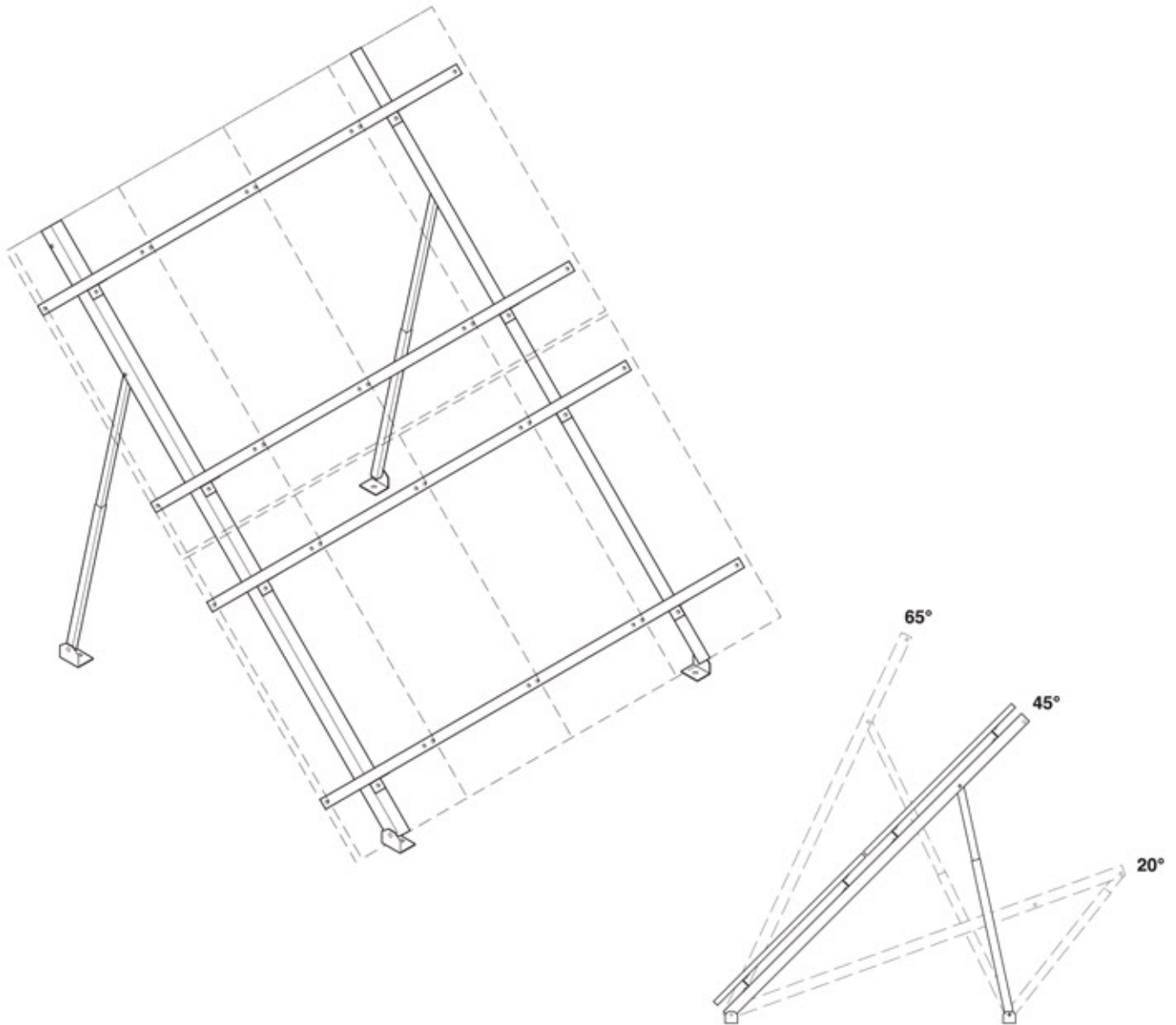
SERIES DP-LPRGM-TL

Low-Profile Roof/Ground Mount with Telescoping Legs

STANDARD SPECIFICATIONS

- Rack components are 6061-T6 structural aluminum angle
- Mounting feet are heavy gauge steel, hot-dip galvanized after fabrication
- Module mounting hardware is stainless steel
- Rack hardware is zinc-plated grade 5
- Elevation angle adjustment: 20 to 65 degrees

*other materials and finishes are available



SERIES DP-TTRGM-TL

Two-Tier Roof/Ground Mount with Telescoping Legs

STANDARD SPECIFICATIONS

- Rack components are 6061-T6 structural aluminum angle
- Mounting feet are heavy gauge steel, hot-dip galvanized after fabrication
- Module mounting hardware is stainless steel
- Rack hardware is zinc-plated grade 5
- Elevation angle adjustment: 20 to 65 degrees

*other materials and finishes are available